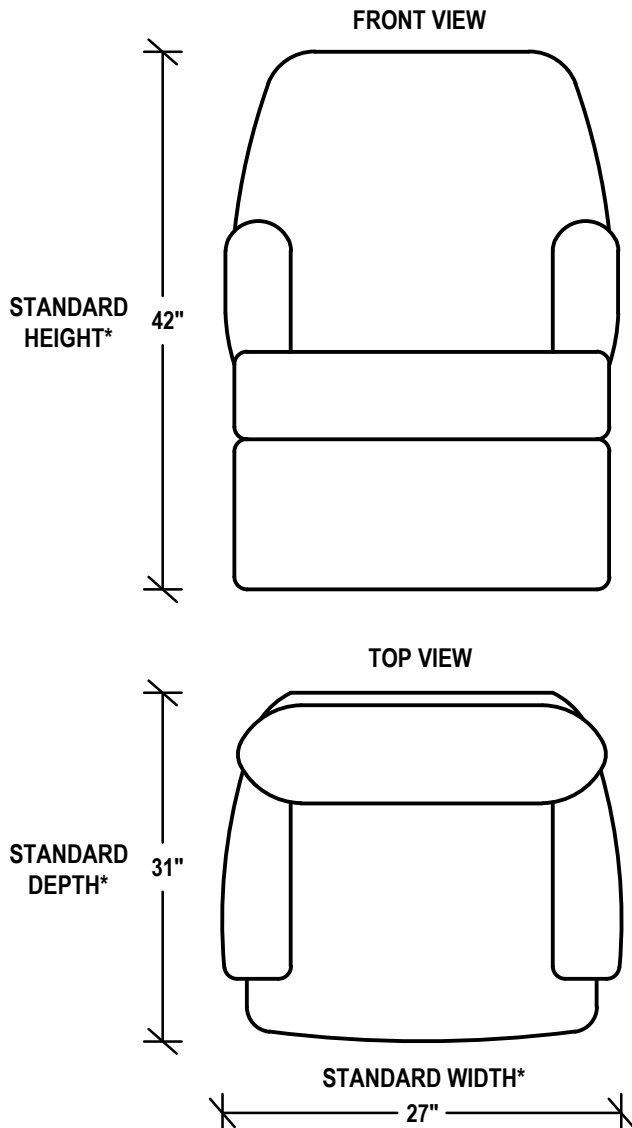


First Name:	Last Name:	
Street Address:		
City:	State:	Zip:
Phone:		
Motor Coach Brand:	Model:	

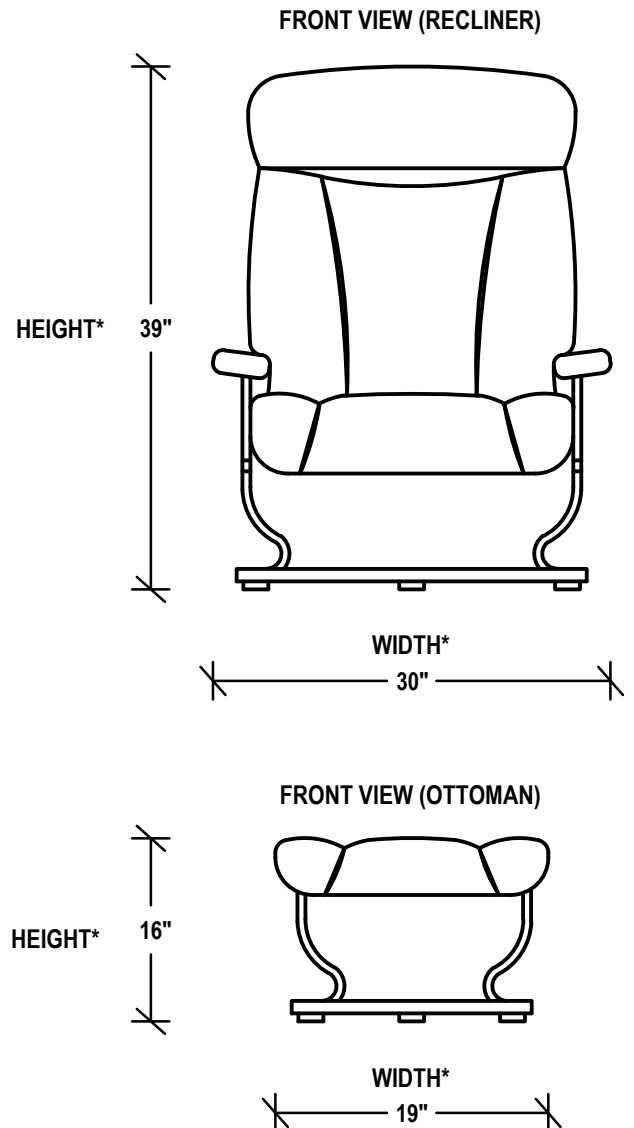
1. CHECK FOR OBSTRUCTIONS

Please indicate the approximate location, shape and size of any obstructions that might interfere with the placement of your recliner in the diagram here. Use the space below to provide a brief description.

STANDARD RECLINER



EUROPEAN RECLINER



* The above dimensions are general specifications only; normal variations are to be expected due to differences in upholstery types.

2. INDICATE DESIRED OPTIONS

Check the appropriate boxes for the optional features you would like included in your recliner.

Choose One:

- | | |
|---|---------|
| <input type="checkbox"/> Standard Recliner | \$795 |
| <input type="checkbox"/> European Recliner (includes ottoman) | \$1,295 |

Check the Appropriate Options:

- | | |
|---|------|
| <input type="checkbox"/> Glider | \$75 |
| <input type="checkbox"/> Rocker | \$75 |
| <input type="checkbox"/> Bolt Down Pedestal | \$75 |

Subtotal _____

Premium Upholstery Choices:

- | | |
|---------------------------------------|-------|
| <input type="checkbox"/> Ultraleather | \$535 |
| <input type="checkbox"/> All leather | \$735 |

(See Shipping Chart for your local rates and include the amount here) Shipping: _____

Total: _____